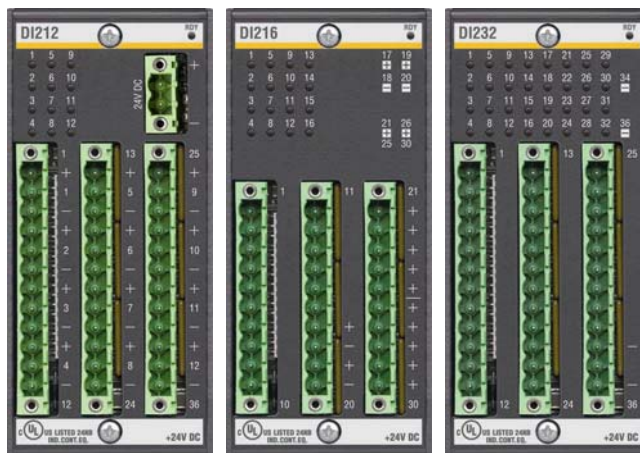


Digital input modules DI2xx

The digital input modules DI2xx are suitable for reading input signals from digitally operating sources such as sensors, photocells or switches.



Features

- 32 digital input channels
- state indicating LEDs: yellow for *Ready* (RDY) and one green LED for each active channel
- two interrupt channels
- internal 5 V DC power supply via backplane BS 2xx

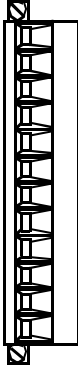
As many digital input modules as module slots are available, may be used in a controller system. Any combination of DI2xx with other input / output modules is allowed. Nevertheless, the maximum capacity of the power supply module must be considered.

Digital Input Module DI 232/x	DI 232	DI 232/48
number of inputs	32	32
Input voltage range	nominal 24 V DC (18 .. 34 V DC)	nominal 48 V DC (38 .. 58 V DC)
power supply	internal via backplane BS 2xx	
current consumption via backplane	80 mA @ 5 V DC	100 mA @ 5 V DC
voltage range for state 0 (inactive)	- 34 V .. + 5 V	-36 V .. + 10 V
voltage range for state 1 (active)	+ 15 V .. + 34 V	+ 30 V .. + 58 V
input delay typically through filter	3 ms	3 ms
input resistance	approx. 6 kΩ (approx. 4mA @ 24 V)	approx. 12 kΩ (approx. 4 mA @ 48 V)
state indicating LEDs	RDY yellow LED, inputs green LEDs	
input groups, number	2	2
input groups, channels	1 .. 8 9 .. 16	1 .. 16 17 .. 32
isolation between groups	yes, up to 330 V	yes, up to 500 V
isolation inputs / bus	yes, up to 500 V	
interrupt inputs (channels)	1/2	
input delay typically	50 μs	
trigger	positive edge (low -> high)	



remark: Inputs 1 and 2 may be used as interrupt channels. This function is currently not supported by RIFLEX M1 software

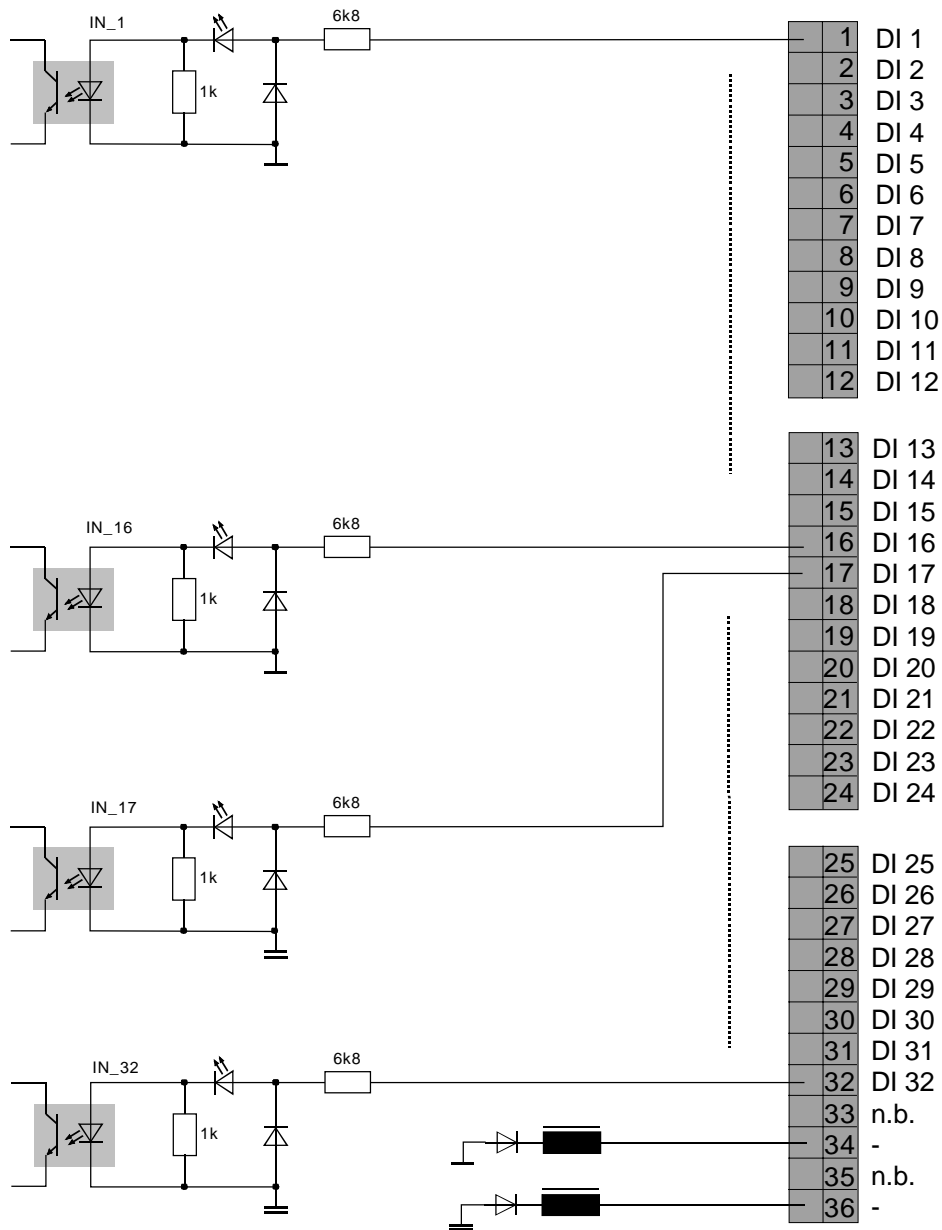
Pin Assignment DI232/x

Connector 1/2/3	Pin	Signal	Pin	Signal	Pin	Signal	Description
	1	DI 1	13	DI 13	25	DI 25	
	2	DI 2	14	DI 14	26	DI 26	
	3	DI 3	15	DI 15	27	DI 27	
	4	DI 4	16	DI 16	28	DI 28	
	5	DI 5	17	DI 17	29	DI 29	
	6	DI 6	18	DI 18	30	DI 30	
	7	DI 7	19	DI 19	31	DI 31	
	8	DI 8	20	DI 20	32	DI 32	
	9	DI 9	21	DI 21	33	n.c.	not connected
	10	DI 10	22	DI 22	34	0V_1	ground for inputs 1 .. 16
	11	DI 11	23	DI 23	35	n.c.	not connected
	12	DI 12	24	DI 24	36	0V_2	ground for inputs 17 .. 32

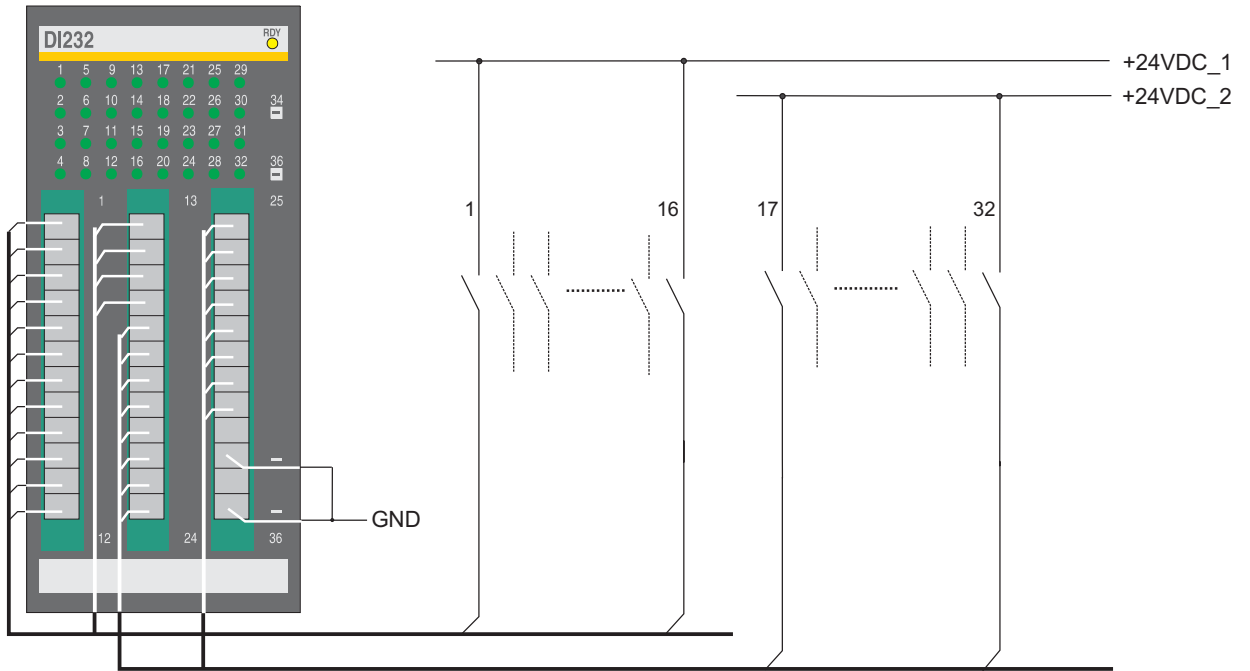
Order Codes for Modules and Accessories

Order Code	Description
RMDI232	dig. Input module 32x24 V (2 groups isol.) 2 interrupt channels
RMDI232.48	dig. Input module 32x24 V sink/source (4 groups isolated), 2 interrupt channels
RMKZDI232	terminal set Phönix cage clamp (3x KZ 51/12)

Input Circuit DI232



Wiring Example DI232



Rittmeyer AG
Grienbachstr. 39
Postfach 2558
CH-6302 Zug

Rittmeyer GmbH
Postfach 1908
DE-70709 Fellbach
Raiffeisenplatz 6
DE-70736 Fellbach

Rittmeyer Ges.m.b.H
Walküregasse 11/2/1
Postfach 73
AT-1152 Wien

Rittmeyer Italiana s.r.l.
Via Valbona 43
IT-24010 Ponteranica (BG)

Rittmeyer S.A.
Calle Julián Camarillo 26-3^º
Apartado 35145
ES-28037 Madrid