

Dimensions [mm]

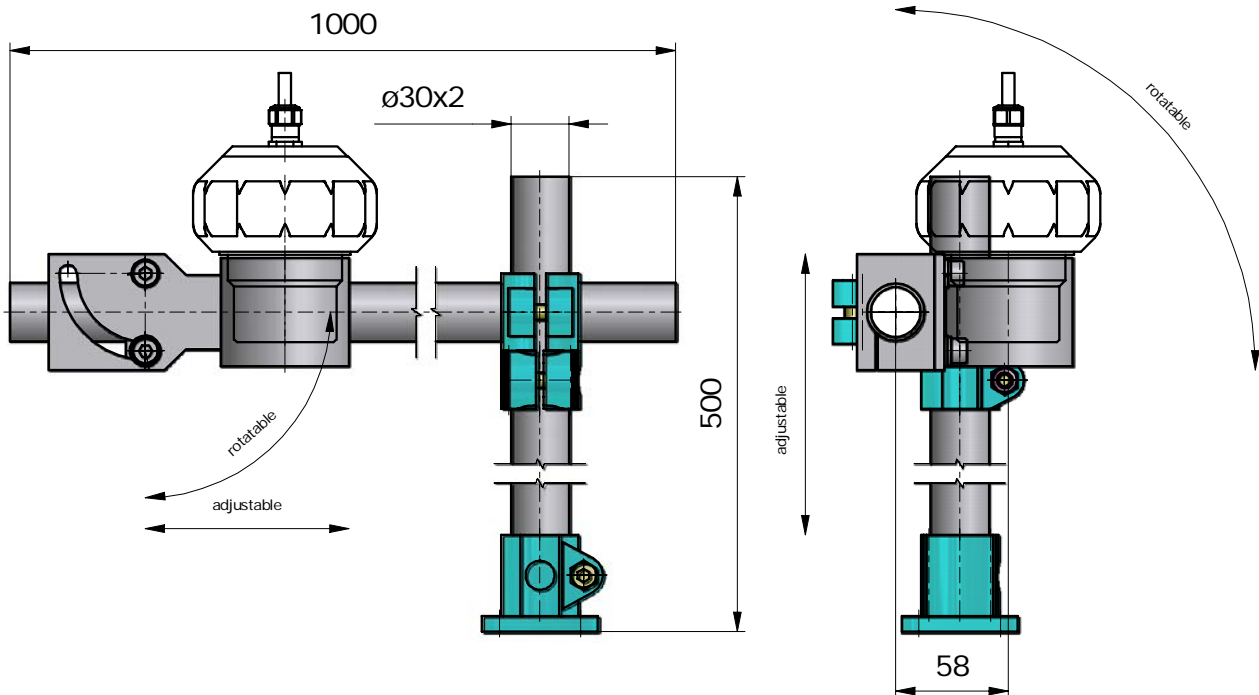


Figure 1: Support with Ultrasonic Level Transducer

Short description

The mounting equipment MPULZHxx is needed for fastening the Ultrasonic Level Transducer MPULxx. The mounting equipment can be very universally used by its modular construction method. Independently of the angularity of the foundation the level transducer can be aligned right-angled to the pathway surface.

Technical Data

Temperature range in general: -20 to +70°C / -4 to +158°F

Pipes and Transducer support

Material: Stainless steel, 1.4301
Dimension Pipe [mm]: $\varnothing 30/2 \times 500$, $\varnothing 30/2 \times 1000$
Dimension Pipe [in.]: $\varnothing 1.2/0.08 \times 19.7$, $\varnothing 1.2/0.08 \times 39.4$

Mounting Clamps

Material: Aluminium, anodised
Colour: Rittmeyer blue green
Screws: Stainless steel, A2

Pipe Stopper

Material: Polyethylene
Colour: black

Mounting options

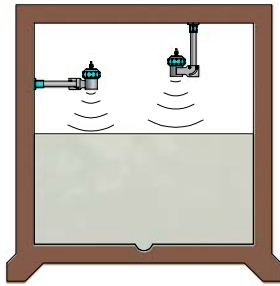


Figure 2: Mounting on ceiling, wall

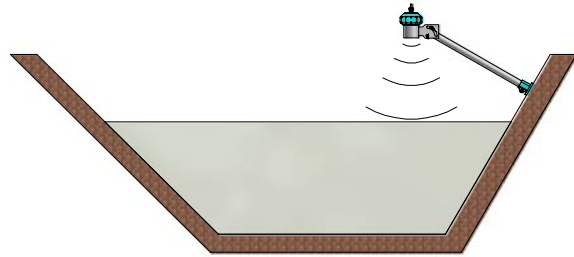


Figure 3: Mounting on sloping embankment

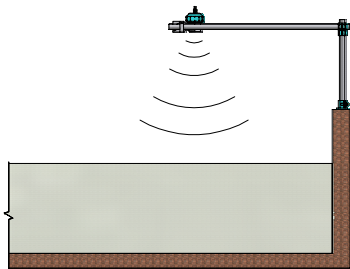


Figure 4: Standard support with 2 pipes

Mounting sets

Identification	Type	Article No.	Reference
Standard Support with one pipe (250 mm)	MPULZH01	00 67 310.001	Figure 2
Standard Support with one pipe (500 mm)	MPULZH02	00 67 310.002	Figure 3
Standard Support with two pipes (500 und 1000 mm)	MPULZH03	00 67 310.003	Figure 4

Mounting material

Identification	Type	Article No.
Base Clamp complete	MPULZH10	00 67 310.010
Cross Clamp	MPULZH11	00 67 310.011
Sleeve Clamp	MPULZH12	00 67 310.012
Transducer Support complete	MPULZH13	00 67 310.013
Pipe Stopper (2 pieces)	MPULZH14	00 67 310.014
Pipe $\varnothing 30/2 \times 250 \text{ mm} / \varnothing 1.2/0.08 \times 9.8 \text{ in.}$	MPULZH20	00 67 310.020
Pipe $\varnothing 30/2 \times 500 \text{ mm} / \varnothing 1.2/0.08 \times 19.7 \text{ in.}$	MPULZH21	00 67 310.021
Pipe $\varnothing 30/2 \times 1000 \text{ mm} / \varnothing 1.2/0.08 \times 39.4 \text{ in.}$	MPULZH22	00 67 310.022
Pipe $\varnothing 30/2 \times 1500 \text{ mm} / \varnothing 1.2/0.08 \times 59.1 \text{ in.}$	MPULZH23	00 67 310.023
Extension cable 2-wire, shielded (per meter)	MPZVK	04 60 502
Junction box (small) IP54	MPZAD	00 65 195.001